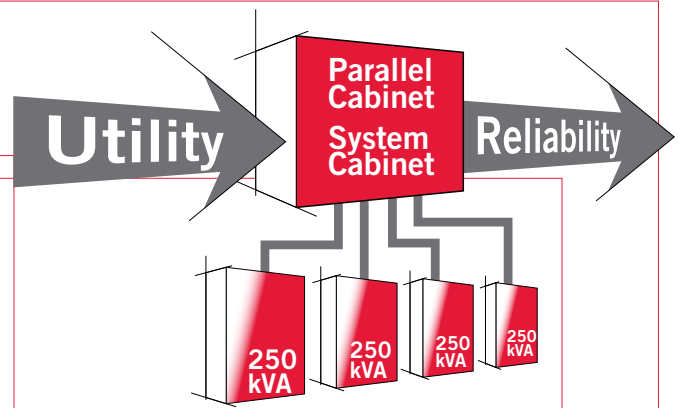


The 1500 iC combines unmatched modularity, reliability and flexibility in one UPS. This system uses 250 kVA modules in a redundant configuration to improve reliability. The 250 kVA modules work within a highly flexible UPS architecture, allowing the UPS to grow with the load – as the load increases, another module is added for increased capacity or redundancy.



1500iC CLEANSOURCE UPS

battery-free energy storage high reliability 50 Hz 98% efficiency 250 400 V 500 1000 1350 kW 1500 kVA

SYSTEM FEATURES

- Rugged, on-line and fault-tolerant UPS*** •
- Most efficient UPS architecture*** •
- High partial-load efficiency*** •
- Handles multi-load characteristics*** •
- Cost-effective lifecycle cost*** •
- Modular and redundant architecture*** •
- Predictable flywheel energy storage*** •
- Low service and maintenance requirements*** •
- Rapid recharge time*** •
- Predictive failure analysis*** •
- Wide operating temperature range*** •
- Remote and local monitoring*** •
- Fault compartmentalisation*** •
- Simple and cost-effective installation*** •
- Multi-vendor generator compatibility*** •
- Field-proven reliability*** •
- No hazardous waste material*** •
- Smallest available footprint*** •
- 20-year design life*** •
- Redundant generator start option*** •

FACTORY INSTALLED EQUIPMENT

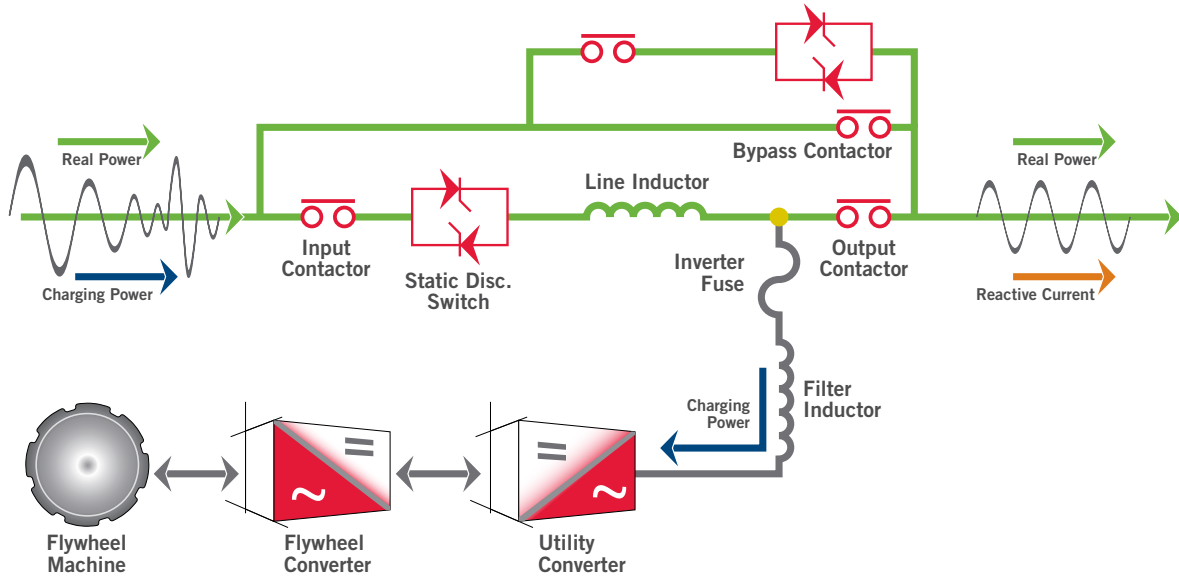
Standard

- IGBT-based UPS technology
- Flywheel energy storage
- Superior power conditioning
- High-speed voltage regulation
- High overload capacity
- Continuous duty rated static bypass circuit
- Redundant cooling fans
- Redundant control power
- User-friendly control panel
- Power factor correction
- Intelligent self-diagnostics
- Serial connections
- Back-feed protection
- Harmonic cancellation

Optional

- CSView™ — real-time monitoring software
- Bottom cable entry
- Maintenance bypass
- Remote status panel
- Separate bypass input
- External synchronising input
- Remote SNMP/MODBUS monitoring capability
- Seismic provisions
- Redundant flywheel and UPS
- GenSTART Generator Start Power

PARALLEL ONLINE ARCHITECTURE



1500iC PRODUCT SPECIFICATIONS

RATING	
Maximum kVA	1,500
Maximum kW	1,350
INPUT	
Voltage	380/400/415 VAC 3-phase
Voltage Range	+10% / -15% (programmable) +/- 10% at 380 VAC
Frequency ¹	50 Hz +/- 10% maximum (programmable) +/- 3% (default)
Power Factor	0.99 at rated load and nominal voltage
Harmonic Current Distortion	
Linear Load	<3% at 100% load
Non-Linear Load ²	<8% at 100% load
Current - Nominal (380 VAC) ³	2,128
Current - Nominal (400 VAC) ³	2,022
Current - Nominal (415 VAC) ³	1,949
Current - Max. Continuous ³	2,400
Current - Max. Non-Continuous ³	2,640
Surge Withstand	Meets IEEE 587/ANSI C62.41
Walk-In	1 to 15 seconds (programmable)
OUTPUT	
Voltage	380/400/415 VAC 3-phase
Voltage regulation	4-wire
Steady state	+/-1% for +/-10% input
Flywheel mode	+/-1% steady state
Transient	+/-1% within 50 mSec for 100% load step
Voltage distortion ²	<2% linear loads and <5% for 100% non-linear loads
Frequency ¹	50Hz (mains synchronised) (normal operation +/- 0.2% free running)
Slew Rate	Adjustable from 0.2Hz/second to 3.0Hz/second
Current - Nominal (380 VAC)	2,282
Current - Nominal (400 VAC)	2,168
Current - Nominal (415 VAC)	2,089
Overload Capability-Mains Operation	105% Cont 10Min 125% 2Min 150% 30S 200% 10mS >200%
UPS Efficiency ⁴	98%

Environmental	
Audible Noise	<75 dBA at 1m
Temperature	
Operating	0 to 40° C
Storage	-25 to 70° C
Humidity	5% to 95% (non-condensing)
Altitude ⁵	Up to 1,000 meter
Emissions and Immunity	EN 50091-2
Heat Rejection ³	
kW	35.1
BTU/Hr	119,676
PHYSICAL DATA	
Height (w/o wireway or DC bus)	1,981 mm
Width	1,485 mm per module
Depth	865 mm
Weight	2,134 kg per module
Cable Entry	Top or Bottom
Safety	EN64040-1-1

¹ 60Hz Available ⁴ DC energy storage offline
² EN59001-3 ⁵ Derate operating temperature for higher elevations
³ DC energy storage online

STANDARD RIDE-THROUGH TIMES (SECONDS)

Load/ # of Modules	7 X 250kVA Modules	6 X 250kVA Modules	5 X 250kVA Modules	4 X 250kVA Modules
1500-kVA / 1350-kW	18	15	N/A	N/A
1250-kVA / 1125-kW	21	18	15	N/A
1000-kVA / 900-kW	26	23	19	15
750-kVA / 675-kW	35	30	25	20

World Headquarters
 2128 W. Braker Lane, BK12 • Austin, Texas 78758-4028
 Tel: 877.BUY.ACPW • Fax: 512.836.4511
 sales@activepower.com

EMEA • Active Power Solutions Ltd. (UK)
 Unit 4A • Lauriston Business Park • Pitchill • Evesham
 Worcestershire WR118SN • United Kingdom
 Tel: +44 1386 870 006 • Fax: +44 1386 870 806
 emea@activepower.com

